

DEZHPOOLAD  
PRODUCTS  
GENERAL  
CATALOGUE

HOSPITAL STAINLESS STEEL EQUIPMENT

**DEZH**  
**POOLAD**  
A r i a n a



**DEZH**  
**POOLAD**  
A r i a n a

CRITERION FOR  
**QUALITY**

**DEZHPOOLAD**  
HOSPITAL STAINLESS STEEL EQUIPMENT

We are trying to improve our presence by focusing on designing and quality of our stainless steel components. Our experience surely will help us to boost innovation in manufacturing wide range of products. What helps us in this field is emphasizing on training our staff, our strict system of production and punctuality in delivery, besides good management of the resources and buyer's friendly policies. We are trying to be recognized as Iran's best source to manufacture because we don't compromise on quality in exchange for a cheaper price.

# INDEX

DEZHPOOLAD PRODUCTS  
CATALOGUE

01

2-3

DEZHPOOLAD COMPLEX



02

8-9

WE DO

03

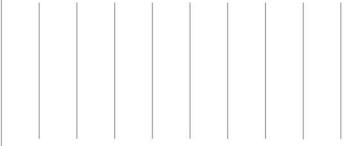
14-39

**TROLRIES**

- EMERGENCY TROLLEY
- WOUND TROLLEY
- ECG TROLLEY
- INSTRUMENT TROLLEY
- MEDICINE TROLLEY
- FILE CHART TROLLEY
- FOOD SERVING TROLLEY
- ANESTHESIA TROLLEY
- TRANSPORTATION TROLLEY
- CARRYING TROLLEY
- LINEN TROLLEY
- HEAVY-DEUTY TROLLEY
- OXYGEN CYLINDER TROLLEY
- DIRTY CLEAN LINE TROLLEY
- BASIN STAND TROLLEY
- BANDAGES STAND TROLLEY
- SURGICAL INSTRUMENT TROLLEY
- FALCATE TABLE TROLLEY



**DEZH**  
**POOLAD**  
A r i a n a



05

44-47

**CUPBOARDS  
CABINETS**

- MEDICINE CUPBOARD
- SURGERY ROOM CUPBOARD
- MEDICINE CABINET

06

48-49

**SHELVES**

- CSR SHELF
- LANDRY SHELF
- KITCHEN SHELF

07

**SINKS**

50-53

- SCRUB SINK
- CLINICAL SINK
- WASHING SINK
- THREE-STAGE TOOL SINK
- BABY WASHING SINK
- CASTING SINK

04

40-43

**TABLES**

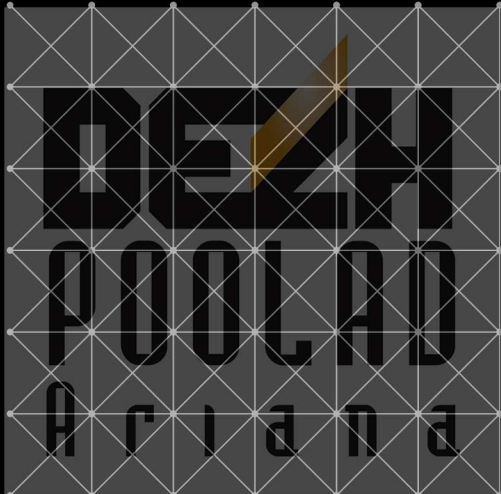
- WORKING TABLE
- PACKING TABLE
- SEPARATION TABLE
- SURGERY TABLE
- PORTABLE WORKING TABLE

08

54-55

**ANNEX**

- STEP ONE LEVEL
- STEP TWO LEVEL
- BUCKET FOR SURGERY
- SCREEN 3PLE
- DRESSING REGAL
- WALL-MOUNTING SHOEBOX
- WALL RAFF
- CLEANING TOOL'S HOOK
- IV Pole



CRITERION FOR  
**QUALITY**



## WE DO

Our products are made of stainless steel 304 L, but of course it can be designed according to the demand and request of the customers.

## R&D

Our experts and experienced staff in the technical department try to produce an innovative product based on the know-how and benefitting the ideas of the users in health care centers.



1.9685"



## QUALITY CONTROL

This includes input control, control during production and final control. This level is of high sensitivity in order to focus on production according to technical drawing.



## CUTTING LINE

The stainless steel sheets have to be cut to the exact size, because of the high sensitivity of the case. This is done by means of laser cutting and -8axis CNC punching machines.

## WELDING LINE

Welding is one of our core activities which is undertaken by skilled, qualified operatives, working on the basis of the standards and under the control of responsible welding coordinator. Here the technique of TIG is applied.



1.9685"



## BENDING LINE

Here the sheets are forced from straight form by CNC bending machine in order to achieve bends in exact dimensions and according to the drawings of the technical department.

# DEZH POOLAD A r i a n a

## ASSEMBLY LINE



This is composed of first, secondary and final assembly. Since we strive to arrange the outcome of the efforts of previous stages carefully beside each other and provide the customer with a high quality product this is the most time consuming level of the production.

OUR  
PRODUCTS



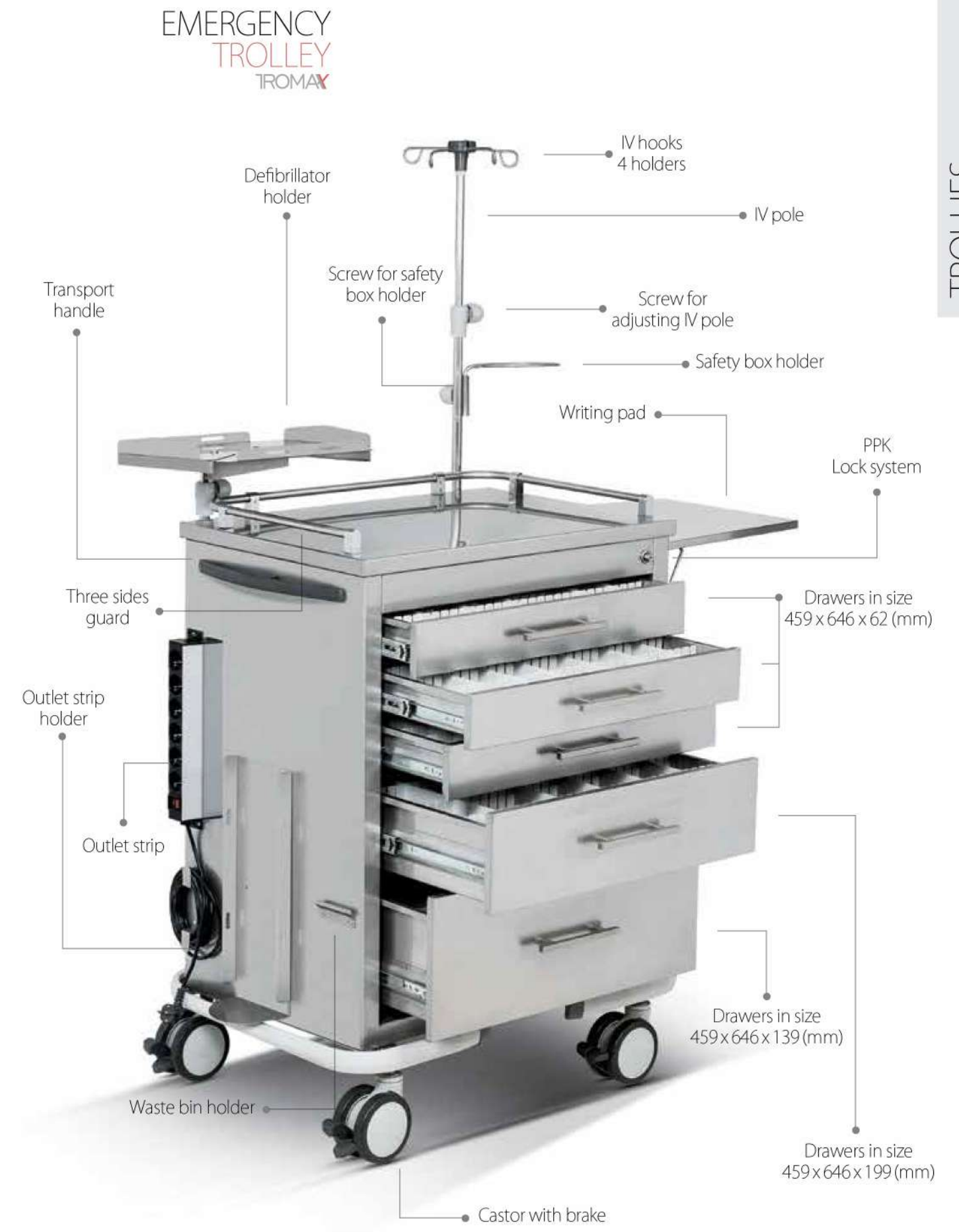
EMERGENCY  
 TROLLEY  
 TROMAX



- P.V.C. CPR board
  - Height adjustable Defibrillator trat
  - Divider for drawer
  - 2 Linear bumpers
  - 4 Castors with 2 independent braked
  - 3 Sides gaurd for top surface
  - 1 Handle
  - Writting pad
  - Dimension: 704 x 520 x 1000 (mm)
- **Emergency Trolley Tromax E001, E002**
  - Stainless steel main frame
  - 5 Drawers
  - Safty box holder
  - Oxygen cylinder holder
  - Height adjustable IV pole
  - Outlet strip with 4 channel
  - P.P.K. (Push-Pull key) Lock system
  - Waste bin holder
  - Defibrillator holder



- 1 removable writing pad
  - UDBS (Up-Down-Breakway Security) Key
  - The main structure with the profile
  - Dimension: 704 x 520 x 1050 (mm)
- **Emergency Trolley Tromax E003, E004**
  - Stainless steel main frame
  - 5 Drawers
  - Safty box holder
  - Oxygen cylinder holder
  - Height adjustable IV pole
  - Outlet strip with 4 channel
  - Drawer locking bar
  - Waste bin holder
  - Defibrillator holder



WOUND  
 TROLLEY  
 TROMAX



**Triple - Shelf Trolley Tromax W011**

- . 3 Shelves with perimetrical rim
- . 1 Removable drawer
- . 4 Castors with 2 independent braked
- . Flat table top with guardrail on 3 sides
- . 4 Bumpers at each corner
- . Dimension: 550 X 380 X 900 (mm)



**Injection Trolley Tromax W008**

- . 2 Shelves with perimetrical rim
- . 3 Sides gaurd for each shelves
- . 1 Removable drawer
- . 4 Castors with 2 independent braked
- . Safty box holder
- . 4 Bumpers at each corner
- . 1Waste bins with pedal
- . Dimension: 800 X 500 X 950 (mm)



**Wound Trolley Tromax W002**

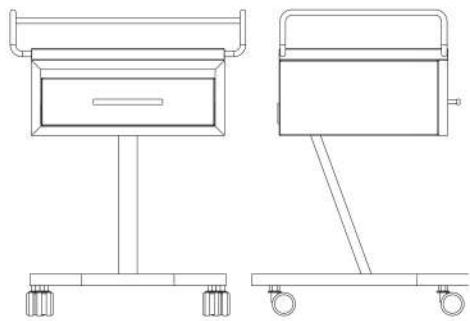
- . 2 Shelves with perimetrical rim
- . 2 Removable drawer
- . 3 Sides gaurd for shelves
- . 4 Castors with independent braked
- . Safty box holder
- . 4 Bumpers at each corner
- . Dimension: 900 X 500 X 950 (mm)



**Wound Trolley Tromax W004**

- . 2 Shelves with perimetrical rim
- . 2 Removable drawer
- . Basin holder
- . 2 Waste bins with pedal
- . Safty box holder
- . 4 Castors with 2 independent braked
- . 4 Bumpers at each corner
- . Dimension: 800 X 500 X 950 (mm)

ECG  
TROLLEY  
TROMAX



**ECG Trolley Tromax W019**

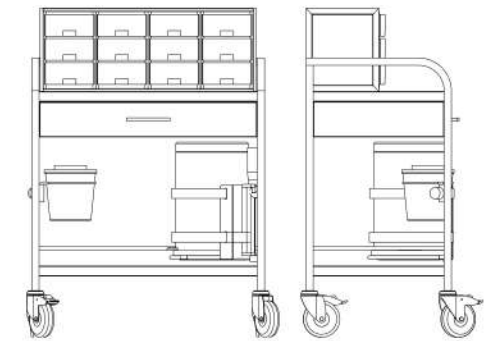
- .1 Removable drawers
- . Flat table top with guardrail on 3 sides
- .4 Castors with 2 independent braked
- . Wire holder
- . Dimension: 450 X 450 X 900 (mm)

**ECG Trolley Tromax W009**

- .2 Shelves with perimetrical rim
- .3 Sides guard for each shelves
- .4 Castors with 2 independent braked
- .1 Handle
- .1 Removable drawer
- . Wire holder
- . Dimension: 500 X 400 X 900 (mm)

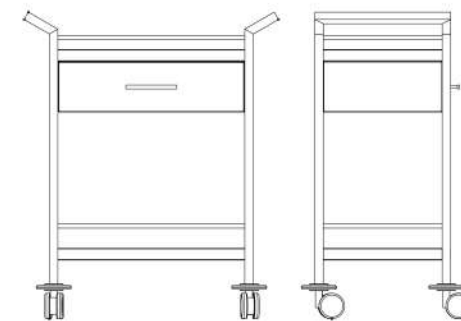
INSTRUMENT  
WOUND  
&  
TROLIES

TECHNICAL DRAWING - INFORMATION



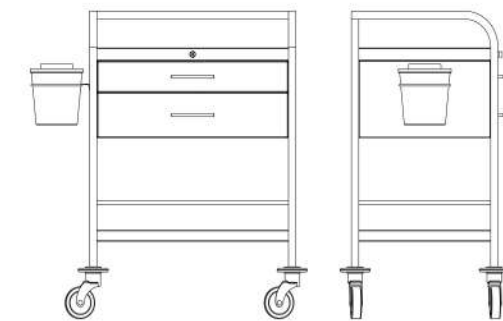
**Injection Trolley Tromax W012**

- .1 Removable drawers
- .4 Castors with 2 independent braked
- .4 Bumpers at each corner
- .12 Upper plastic drawers
- . Lower shelf with guardrail on 3 sides
- .1 Waste bins with pedal
- . Safty box holder
- . Dimension: 800 x500 x1 150 (mm)



**Wound Trolley Tromax W020**

- .2 Shelves with perimetrical rim
- .1 Removable drawer
- .4 Castors with 2 independent braked
- .4 Bumpers at each corner
- .3 Sides gaurd for each shelves
- .2 Built in handles
- . Dimension: 600 x400 x900 (mm)



**Instrument Trolley Tromax W003**

- .2 Shelves with perimetrical rim
- .4 Castors with 2 independent braked
- .2 Removable drawer
- . Safty box holder
- . PPK lock system
- .4 Bumpers at each corner
- . Dimension: 750 X 500 X 950 (mm)

MEDICINE  
 TROLLEY  
 TROMAX



**Medicine Trolley Tromax M004**

- Flat table top with guardrail on 3 sides
- 3 Removable drawers
- 4 Castors with 2 independent braked
- 4 Bumpers
- Dimension: 700 X 700 X 1000 (mm)



**Medicine Trolley Tromax WN001**

- 3 Removable drawers
- 4 Castors with 2 independent braked
- Safty box holder
- Flat table top with guardrail on 3 sides
- Waste bin
- 4 Bumpers
- The main structure with the profile
- Dimension: 900 X 500 X 900 (mm)



**Medicine Trolley Tromax M003**

- 6 Drawers at 2 sides
- 2 Dashboard drawers at 2 sides
- Safty box holder
- 2 Built in handle
- 4 bumpers at each corner
- 4 castors with 2 independent braked
- Divided drawers
- Dimension: 650 X 550 X 850(mm)



**Medicine Trolley Tromax M008**

- 5 drawers at 1side
- Safty box holder
- UDBS lock system
- 2 Built in handle
- 2 Linear bumpers
- 4 Castors with 2 independent braked
- Divided drawers
- Three of the drawers with plastic boxes
- Dimension: 700 X 550 X 1000 (mm)

MEDICINE  
 TROLLEY  
 TROMAX



- **Medicine Trolley Tromax M002**
- 6 Drawers at 2sides
- 2 Dashboard drawers at 2 sides
- Safty box holder
- Top tray for medicine preparation
- 2 Linear bumpers
- 4 Castors with 2 independent braked
- 1 Handle
- Divided drawers
- Drawer lock
- Dimension: 750 X 500 X 1000 (mm)



FILE CHART  
 TROLLEY  
 TROMAX



- File Chart Trolley Tromax FC001 , FC002
- 12 or 24 Rows
- 1 Shelf
- 4 Castors with 2 independent braked
- 4 Bumpers at each corner
- Dimension **FC001**: 485 X 520 X 1270 (mm)
- Dimension **FC002**: 740 X 520 X 1270 (mm)

- File Chart Trolley Tromax FC003
- 20 Rows
- 1 Removable drawer
- 4 Castors with 2 independent braked
- 4 Bumpers at each corner
- Dimension: 310 X 410 X 940 (mm)

FOOD SERVING  
 TROLLEY  
 TROMAX



- Warm Food Serving Trolley Tromax FO002
- One-Sided carrying handle
- 4 Castors (2 revolving / 2 fixed braked) with diameter of 125 mm
- With internal heater
- 3 Rows of hot food storage
- 2 Doors in lower part
- Dimension: 1100 X 650 X 900 (mm)

- Food Serving Trolley Tromax FO001
- One-Sided carrying handle
- 4 Castors (2 revolving / 2 fixed braked) with diameter of 125 mm
- 3 Rows of food storage
- Dimension: 1260 X 560 X 850 (mm)





ANESTHESIA  
 TROLLEY  
 TROMAX



- Anesthesia Trolley Tromax A002
- 5 Removable drawers
- 4 Castors with 2 independent braked
- 2 Linear bumpers
- 15 Upper plastic drawers
- 1 Removable writing pad
- UDBS Lock system
- Dimension: 704 x 520 x 1470 (mm)



- Sterile Pack Transport Trolley Tromax CR003
- 1 Removable porous shelves
- 2 Handles
- 2 Linear bumpers
- 4 Castors with 2 independent braked
- Dimension: 800 X 520 X 1000 (mm)



- Sterile Pack Transport Trolley Tromax CR001
- 2 Dashboard drawers
- 2 Removable porous drawers
- 2 Handles
- 4 Linear bumpers
- 4 Castors with 2 independent braked
- Dimension: 800 X 600 X 1000 (mm)

TRANSPORT-  
 ATION  
 TROLLEY  
 TROMAX

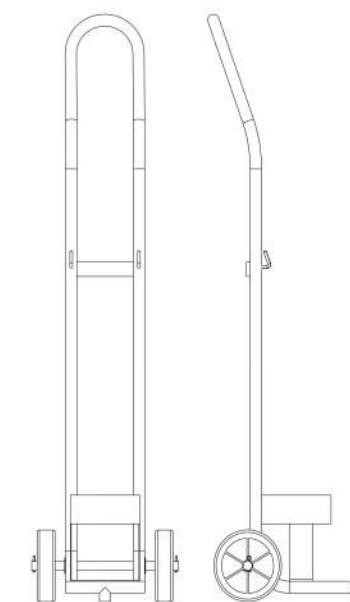


- Linen Trolley Tromax L002**
- 1 Shelves with perimetrical rim
  - Sack holder for placing the dirty linen
  - 1 Handle
  - 4 Castors with 2 braked
  - 4 Bumpers at each corner
  - Dimension: 1000 X 800 X 900 (mm)



- **Carrying Trolley with Basket Tromax AC001**
- 2 Sided carrying handles
  - 4 Castors (2 simple/2 braked)
  - Dimension: 1000 X 600 X 920 (mm)

OXYGEN  
 CYLINDER  
 TROLLEY  
 TROMAX



- **Oxygen Cylinder Trolley Tromax OC002**
- 2 Castors(10cm diameters) braked
  - 2 Castors(16cm diameters)
  - Oxygen Cylinder Holder 40L
  - Dimension: 800 X 300 X 1150 (mm)



- **Oxygen Cylinder Trolley Tromax OC003**
- 2 Castors(15cm diameters)
  - Oxygen Cylinder Holder 10L
  - Dimension: 350 X 350 X 1250 (mm)

- **Heavy-Duety Trolley Tromax V001**
- 4 Castors (2 revolving/2fixed braked)
  - Dimension: 1300 X 800 X 924 (mm)

DIRTY CLEAN  
 LINE  
 TROLLEY  
 TROMAX



Dirty Linen Trolley Tromax L003

- . 1 Removable bag
- . 2 Handles
- . 4 Castors with 2 independent braked
- . 4 Bumpers at each corner
- . Dimension: 900 X 900 X 1150 (mm)



Dirty Linen Trolley Tromax L007

- . Removable bag
- . 2 Handles
- . 4 Castors with 2 independent braked
- . 4 Bumpers at each corner
- . Dimension: 900 X 600 X 1000 (mm)



Double Bag Linen Trolley Tromax L004

- . 2 Removable bag
- . 2 Handles
- . 4 Castors with 2 independent braked
- . Dimension: 1200 X 540 X 1000 (mm)



Linen Trolley Tromax L001

- . 3 Shelves with perimetrical rim
- . 1 Removable bag for Dirty/clean linen
- . 1 Handle
- . 4 Castors with 2 independent braked
- . Dimension: 1000 X 500 X 900 (mm)

BASIN  
 STAND  
 TROLLEY  
 TROMAX



- Basin Stand Tromax B004**
- 2 Removable 5L capacity bowl
  - 4 Castors with 2 brakes
  - 4 Bumpers at each corner
  - Dimension: 700 X 500 X 900 (mm)



- **Basin Stand Tromax B001 , B003**
- 1 or 2 Removable basin
- 5 Castors with 2 brakes
- Dimensionss: 350 X 350 X 800 (mm)
- Dimension: 700 X 350 X 800 (mm)

BANDAGES  
 STAND  
 TROLLEY  
 TROMAX



- **Hook Trolley Tromax H003**
- With 3 rows and 20 hooks in each row
- 1 Shelf
- 4 Castors (2 simple/2braked) with diameter of 50 mm
- Dimension: 1000 X 700 X 1500 (mm)



- **Hook Trolley Tromax H001**
- With 8 rows and 10 hooks in each row
- 1 Shelf
- 4 Castors (2 simple/2braked) with diameter of 50 mm
- Dimension: 750 X 700 X 1900 (mm)

SURGICAL  
 INSTRUMENT  
 TROLLEY  
 TROMAX



- Surgical Instrument Trolley **Tromax SI001**
- Table top with perimetrical rim
- Height adjustment 800-1400 (mm)
- 4 Castors with 2 independent braked
- Dimension: 340 X 600 X 800-1400 (mm)



- Surgical Instrument Trolley **Tromax SI004**
- Table top with perimetrical rim manual
- Height adjustment 800-1400 (mm)
- 4 Castors with 2 independent braked
- Dimension: 400 X 600 X 800-1400 (mm)

FALACATE  
 TABLE  
 TROLLEY  
 TROMAX



- Falcate Table **Tromax W016, W007**
- 2 Shelves with perimetrical rim
- Lower shelf with guardrail on 3 sides
- 4 Castors with 2 independent braked
- Dimension **W016**: 1200 X 550 X 900 (mm)
- Dimension **W007**: 1450 X 450 X 900 (mm)



- Falcate Table **Tromax W014, W018**
- 2 Shelves with perimetrical rim
- Lower shelf with guardrail on 3 sides
- 5 Castors with 2 independent braked
- Dimension **W014**: 1600 X 550 X 900 (mm)
- Dimension **W018**: 1400 X 500 X 900 (mm)

WORKING  
 TABLE  
 WOTAMAX



Working Table Wotamax T002, T001  
 . 1 Shelf  
 . 4 Adjustable legs  
 . Dimension T002: 1700 X 600 X 900 (mm)  
 . Dimension T001: 900 X 600 X 900 (mm)



Working Table Wotamax T003, T004  
 . 2 Shelves with patrahi  
 . 4 Adjustable legs  
 . Dimension T003: 1400 X 650 X 900 (mm)  
 . Dimension T004: 900 X 500 X 900 (mm)

PACKING  
 SEPARATION  
 TABLE



Packing Table Wotamax PT002  
 . 2 Shelves  
 . 4 Adjustable legs  
 . Dimension: 1900 X 700 X 1380 (mm)



Separation Table Wotamax ST001  
 . 2 Shelves  
 . 4 Adjustable legs  
 . Dimension: 1450 X 550 X 950 (mm)

WORKING  
 TABLE  
 WOTAMAX



Working Table Wotamax T006  
 .1 Shelf  
 .4 Adjustable legs  
 .Dimension: 1200 X 500 X 1120 (mm)



Working Table Wotamax TD002  
 .2 Shelves  
 .4 Adjustable legs  
 .Dimension :500 X 500 X 900 (mm)



Working Table Wotamax TD005  
 .2 Shelves  
 .4 Adjustable legs  
 .Dimension :1000 X 600 X 900 (mm)

PORTABLE  
 WORKING  
 TABLE  
 WOTAMAX



Working Table Wotamax W010  
 .2 Shelves  
 .Lower shelf with guardrail on 3 sides  
 .4 Castors with 2 independent braked  
 .4 Bumpers at each corner  
 .Dimension: 1200 X 900 X 950 (mm)



Working Table Wotamax W006  
 .3 Sheves with perimetrical rim  
 .3 Sides gaurd for each shelves  
 .Built in handle  
 .4 Castors with 2 independent braked  
 .4 Bumpers at each corner  
 .Dimension: 700 X 450 X 950 (mm)



Working Table Wotamax W015  
 .2 Shelves  
 .4 Castors with 2 independent braked  
 .4 Bumpers at each corner  
 .Dimension: 900 X 500 X 900 (mm)



Working Table Wotamax W005  
 .2 Sheves with perimetrical rim  
 .Built in handle  
 .3 Sides guard for each table  
 .4 Castors with 2independent braked  
 .4 Bumpers at each corner  
 .Dimension: 800 X 500 X 950 (mm)

MEDICINE  
 CUPBOARD  
 SUBMAX

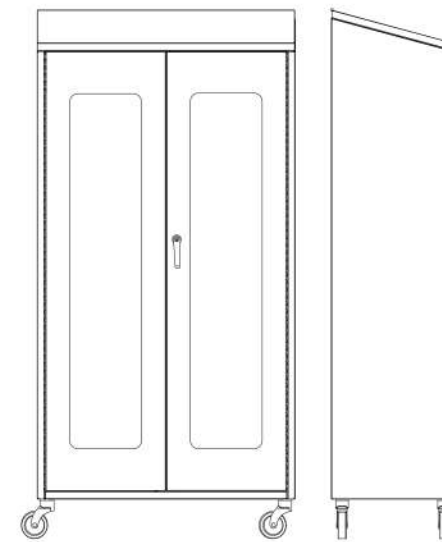


- **Medicine Cupboard Cubmax MC001**
- Lockable glass doors with two shelves
- 2 Drawers
- With sloped roof
- Lower part with 2 doors and 2 shelves
- 4 Adjustable legs
- Dimension: 900 x 500 x 2000 (mm)

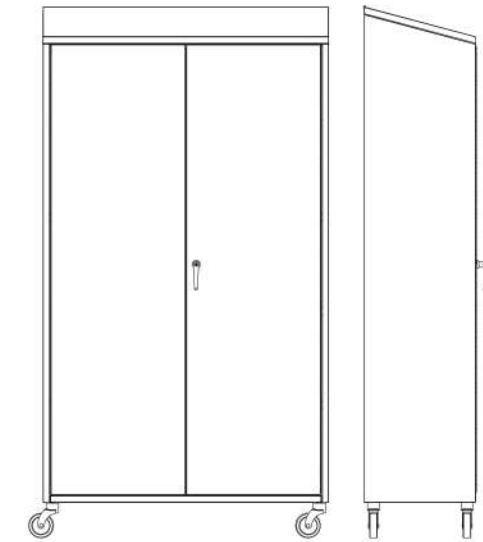


- **Catheter Cupboard Cubmax CC001**
- 4 Castors with 2 independent braked
- Lockable, glass doors
- 3 Rails with 30 antenna holders for hanging catheters
- Capacity for 600 catheters
- Dimension: 970 X 570 X 2000 (mm)

SURGERY ROOM  
 CUPBOARD  
 TECHNICAL DRAWING- INFORMATION



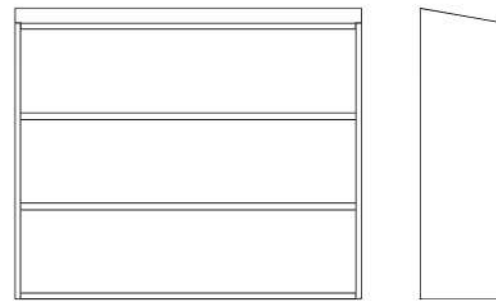
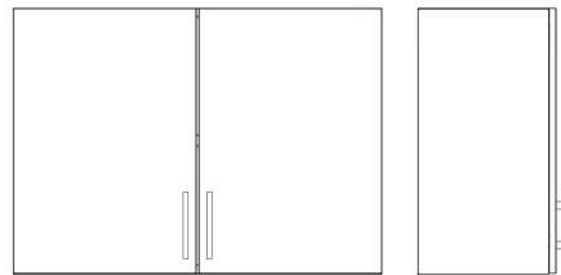
- **Surgery Room Cupboard Cubmax MC003**
- Lockable glass doors
- 4 Castors, 2 of them with brake
- With sloped roof
- 4 Shelves
- Dimension: 950 x 500 x 2000 (mm)



- **Surgery Room Cupboard Cubmax MC004**
- Lockable doors
- 4 Castors, 2 of them with brake
- With sloped roof
- Dimension: 1150 x 450 x 2000 (mm)



MEDICINE  
 CABINET  
 CUBMAX

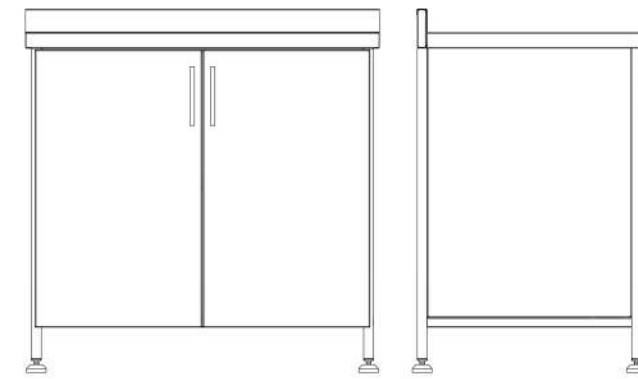


Wall Cabinet **Cubmax WL002 , WL001**

- 1 or 2 Removable shelve
- Dimension **WL002**: 600 X 320 X 1500 (mm)
- Dimension **WL001**: 840 X 320 X 600 (mm)

Wall Cabinet **Cubmax WL003 , WL007**

- 2 or 3 Removable shelve
- With sloped roof
- Dimension **WL003**: 1000 X 300 X 600 (mm)
- Dimension **WL007**: 1200 X 300 X 1000 (mm)



Ground Cabinet **Cubmax GR002**

- 1 Cupboard with double doors
- 1 Removable shelve
- 4 Adjustable legs
- Dimension 900 X 600 X 900 (mm)



Ground Cabinet **Cubmax GR001**

- 1 Removable shelve
- 2 Cupboard with double doors
- 6 Adjustable legs
- Dimension 2000 X 600 X 900 (mm)

CSR, LANDRY  
 & KITCHEN  
 SHELVES

SHELMAX



**Steel Simple Rock Shelmax RK005**  
 . 4 Steel porous Shelves  
 . 4 Adjustable legs  
 . Dimension: 900 X 450 X 1800 (mm)

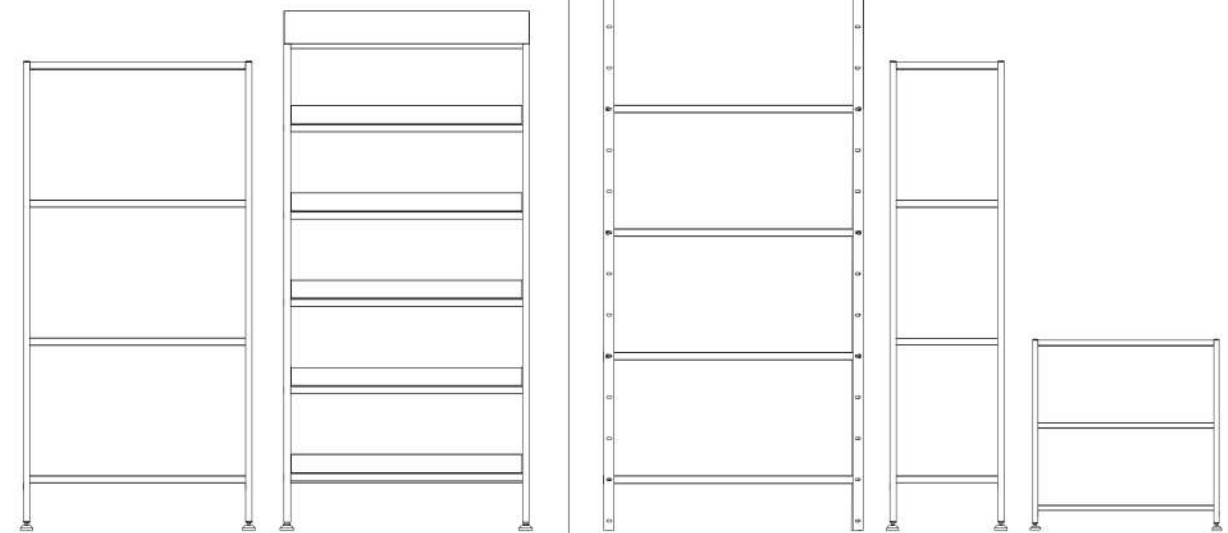
**Steel Rock Shelmax RK008**  
 . 5 Steel porous Shelves  
 . 4 Adjustable legs  
 . With sloped roof  
 . Dimension: 900 X 500 X 1900 (mm)

**Steel Rock Shelmax RK001**  
 . 4 Steel porous Shelves  
 . 4 Adjustable legs  
 . Dimension: 900 X 450 X 1800 (mm)

CSR, LANDRY &  
 KITCHEN  
 SHELVES

TECHNICAL DRAWING- INFORMATION

**Steel Simple Rock Shelmax RK005**  
 . 4 Steel Shelves  
 . 4 Adjustable legs  
 . Dimension: 900 X 450 X 1800 (mm)

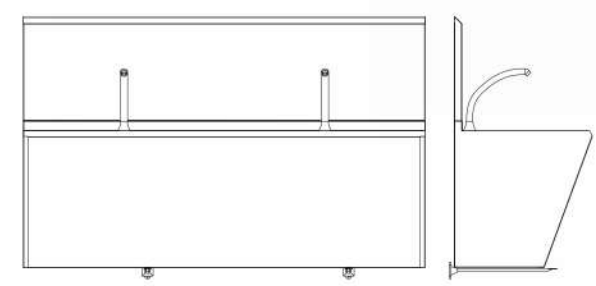
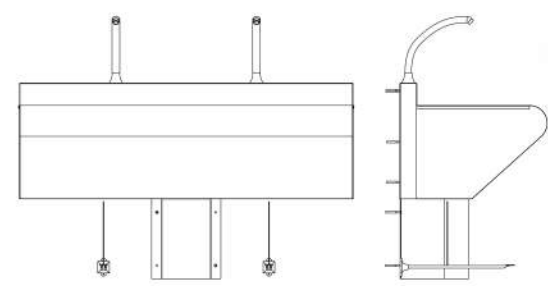


**Sloping Steel Porous Rock Shelmax RK009**  
 . 5 Steel porous Shelves  
 . 4 Adjustable legs  
 . With sloped roof  
 . Dimension: 900 X 450 X 1900 (mm)

**Steel Steel Porous Shelmax RK003 , RK004 , RK007**  
 . 4, 3 and 5 Steel porous Shelves  
 . 4 Adjustable legs  
 . Dimension: **RK003** 450 X 450 X 1800 (mm)  
 . Dimension: **RK004** 900 X 450 X 900 (mm)  
 . Dimension: **RK007** 1000 X 500 X 2300 (mm)

SCRUB  
SINK  
WASIMAX

CLINICAL  
SINK  
WASIMAX



- Scrub Sink Wasimax SS001 , SS002**
- Possibility of using pedal or touchless control faucet
  - With a lever to adjust the pressure and temperature of the water
  - Single Faucet
  - Dimension **SS001** 830 x 550 x 740 (mm)
  - Dimension **SS002** 1250 x 550 x 740 (mm)

- **Scrub Sink Wasimax SS008**
- Possibility of using pedal or touchless control faucet
- With a lever to adjust the pressure and temperature of the water
- Double Faucet
- Dimension 1600 x 550 x 740 (mm)

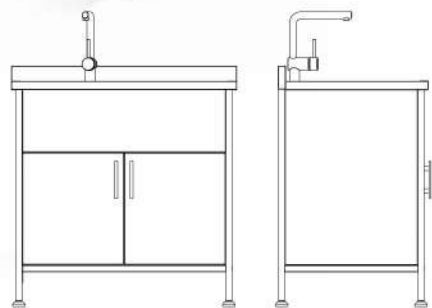
- Scrub Sink Wasimax SS009 , SS016**
- Possibility of using pedal or touchless control faucet
  - With a lever to adjust the pressure and temperature of the water
  - Dimension **SS009** 800 x 550 x 1100 (mm)
  - Dimension **SS016** 1600 x 550 x 1100 (mm)

- **Clinical Sink Wasimax CS001**
- Adjustable four legs
- Shower
- Flush tank
- Faucet
- Dimension 600 x 600 x 2250 (mm)

WASHING  
 SINK  
 WASIMAX



- Three-Stage Tool Sink Wasimax IW002**
- . 3 Faucets
  - . 4 Adjustable legs
  - . Compressed air & water guns
  - . 3 Sinks
  - . Compress air
  - . Glass Shield
  - . 1 Shelf for instruments drying
  - . Dimension 1900 x 654 x 1765 (mm)



- Washing Sink Wasimax WS003 , WS014**
- . Single Faucet
  - . 4 Adjustable legs
  - . 1 or 2 Sinks
  - . 1 Cupboard with double doors
  - . Dimension **WS003**: 900 x 600 x 900 (mm)
  - . Dimension **WS004**: 1100 x 600 x 900 (mm)



- Washing Sink Wasimax WS011**
- . 2 faucet
  - . 4 Adjustable legs
  - . 2 Sinks
  - . 1 Shelf
  - . Dimension 1000 x 600 x 900 (mm)



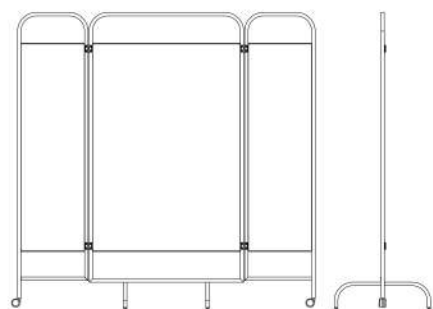
- Casting Sink Wasimax SS010 , WS013**
- . 4 Adjustable legs
  - . 1 Sink
  - . With Barium filter
  - . Dimension **WS010**: 700 x 500 x 800 (mm)
  - . Dimension **WS013**: 1500 x 650 x 850 (mm)



- Baby Washing Sink Wasimax BW012**
- . Single Faucet
  - . 4 Adjustable legs
  - . 1 Sink
  - . Dimension 1000 x 600 x 900 (mm)



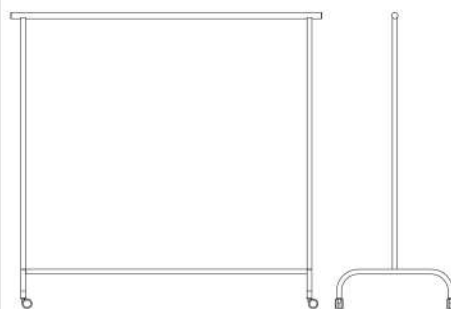
- Bucket for Surgery Arimax BFS001**
- Removable bucket
  - 3 Castors
  - Dimension: 390 X 360 (mm)
  - Capacity 12 Lt



- Screen 3ple Arimax SP001**
- 3 Panels
  - 2 Castors
  - Dimension :1750 X 1750 (mm)
  - Dimension: upon request



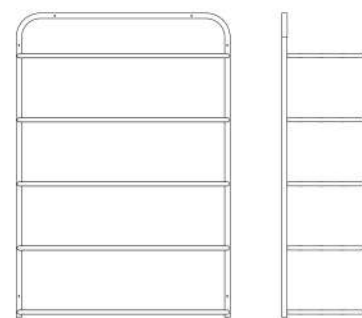
- Step one Level Arimax ST001**
- Dimension: 450 X 280 X 220 (mm)
  - Dimension upon request



- Dressing Regal Arimax H004**
- Dimension: 1500 X 600 X 1500 (mm)



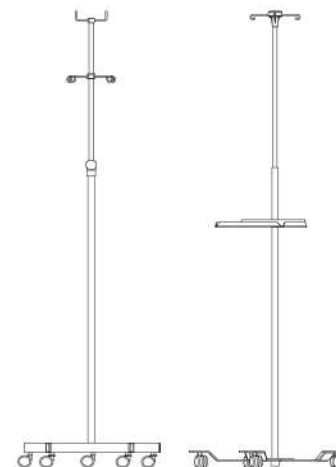
- Step two Level Arimax ST002**
- Dimension: 450 X 450 X 540 (mm)
  - Dimension upon request



- Wall-Mounting Shoebox Arimax WL005**
- 5 Shelves
  - Capacity for 20 pairs of slippers
  - Dimension: 1000 X 400 X 1450 (mm)



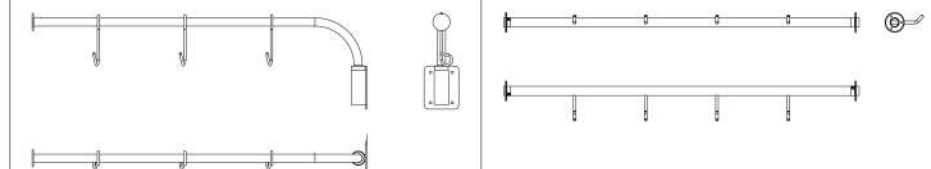
- IV Pole Arimax IP002, IP004, IP006**
- Height adjustable 1500 - 2800 (mm)
  - Manual adjustment
  - 2/4 Security hooks
  - 5 Castors
  - Heavy duty base
  - Payload: 30Kg
  - **IP004** contains 2 hooks for blood bag
  - **IP006** contains 1 pump holder



- Wall IV Holder Arimax WIP001**
- 3 Hooks
  - Dimension: 780 X 80 (mm)
  - Dimension: upon request



- Wall Raff Arimax WR004**
- 1 Shelf
  - Dimension :1000 X 500 X 140 (mm)



- Cleaning Tools' Hook Arimax H002**
- 4 Hooks
  - Dimension: 1000 (mm)
  - Dimension: upon request

# DEZHPOLAD

HOSPITAL STAINLESS STEEL EQUIPMENT

Kavian Industrial Town, Phase 1, Sanat 16  
Mashhad, Iran

Tel: +98-513 217 1893  
+98-912 004 2309  
+98-912 004 2320

[www.dezhpoolad.com](http://www.dezhpoolad.com)  
[info@dezhpoolad.com](mailto:info@dezhpoolad.com)



[www.dezhpoolad.com](http://www.dezhpoolad.com)

DEZHPOOLAD logo is registered in IRAN and other countries.  
© 2024 All rights reserved for Dezhpoolad Co.

---

Kavian Industrial Town, Phase 1, Sanat 16  
Mashhad, Iran  
Tel: +98-513 217 1893 | +98-912 004 2309  
[info@dezhpoolad.com](mailto:info@dezhpoolad.com)